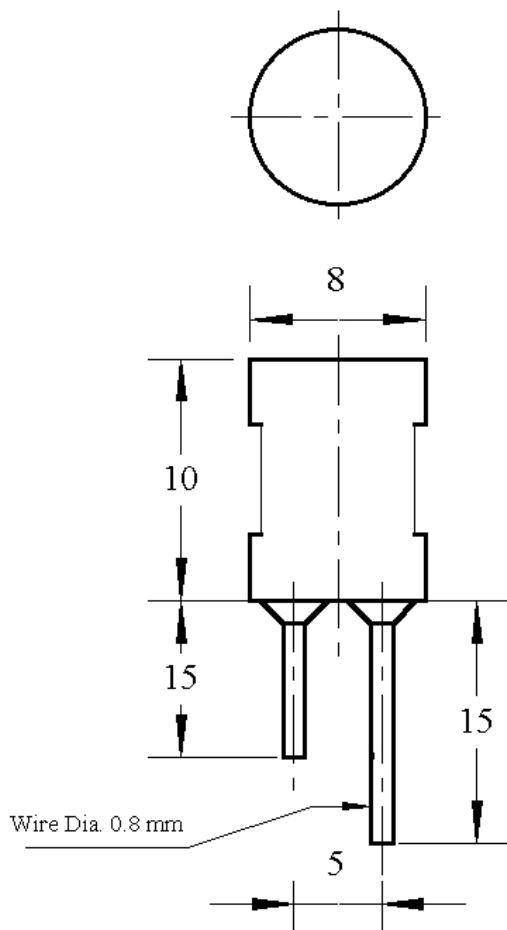


## Fixed Inductors - 810 Series

Inductance $\mu\text{H} \pm 10\%$	DC Current Amps (Continuous)	Typical DC Resistance $\Omega$
22	1.80	0.034
33	1.40	0.056
47	1.20	0.076
68	1.00	0.110
100	0.80	0.172
150	0.65	0.260
220	0.55	0.366
330	0.45	0.533
470	0.38	0.762
680	0.31	1.287
1000	0.25	1.760
1500	0.20	2.750
2200	0.17	3.806

The DC current rating is the current at which the inductance falls to 90% of nominal



All dimensions in mm

## Ferrite Core Fixed Inductors with Radial Leads 810 Series

Data sheet Ref: APS-103 (15/12/03)

**PACE**  
COMPONENTS



### Pace Components Ltd

Unit 38 Ballmoor  
Buckingham Industrial Park  
Buckingham MK18 1RQ

T 01280 822733

F 01280 823839

E [sales@pacecomponents.co.uk](mailto:sales@pacecomponents.co.uk)  
[www.pacecomponents.co.uk](http://www.pacecomponents.co.uk)

INCORPORATING  
**PACE**  
POWER MAGNETICS  
DIVISION