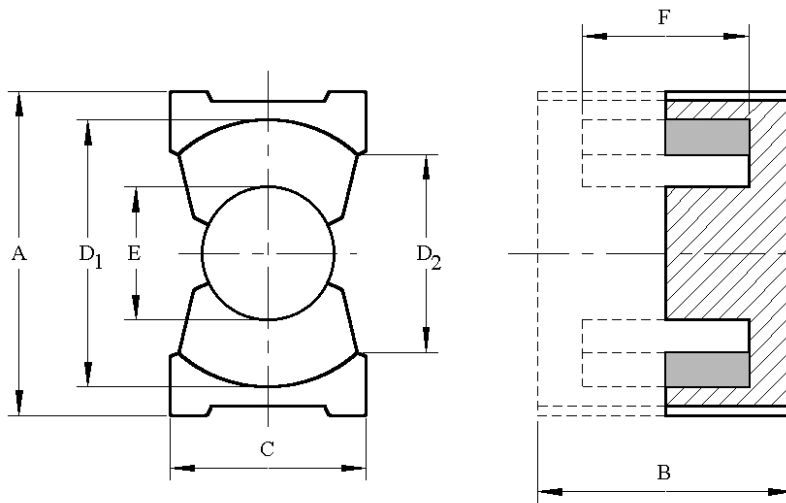


PQ CORES



Dimensions and Magnetic Parameter

Cores	Dimensions (mm)						
	A	B	C	D	D ₂	E	F
PQ 20x16	20.5±0.4	16.4+0 -0.4	14.0±0.4	18±0.4	12.0-0	9.0+0 -0.4	10+0.6 -0
PQ 20x20	20.5±0.4	20.4+0 -0.4	14.0±0.4	18±0.4	12.0-0	9.0+0 -0.4	14+0.6 -0
PQ 25x24	25.5±0.5	24.2+0 -0.4	15.5±0.4	21.5±0.5	16.0-0	11.0±0.2	15.6+0.6 -0
PQ 26x20	26.5±0.45	20.4+0 -0.5	19.0±0.45	22.5±0.45	15.5-0	12.2+0 -0.4	11.2+0.6 -0
PQ 26x25	26.5±0.45	25.0+0 -0.5	19.0±0.45	22.5±0.45	15.0-0	12.2+0 -0.4	15.8+0.5 -0
PQ 30x28	30.5±0.5	28.0±0.3	19.0±0.4	26.0±0.5	20.0-0	13.0±0.25	18.2+0.5 -0
PQ 32x20	32.0±0.5	20.8+0 -0.5	22.0±0.5	27.5±0.5	19.0-0	13.7+0 -0.5	11.2+0.6 -0
PQ 32x30	32.0±0.5	30.6+0 -0.5	22.0±0.5	27.5±0.5	19.0-0	13.7+0 -0.5	21.0+0.6 -0
PQ 35x35	35.0±0.5	35.1+0 -0.6	26.0±0.5	32.0±0.5	23.5-0	14.6+0 -0.5	24.7+0.6 -0

Cores	Parameter				
	Cl (cm ⁻¹)	Ae (cm ²)	Le (cm)	V _e (cm ³)	Aw (cm ²)
PQ 20x16	6.05	0.62	3.74	2.31	0.474
PQ 20x20	7.38	0.62	4.54	2.79	0.658
PQ 25x24	5.92	1.06	6.27	6.64	0.835
PQ 26x20	3.91	1.19	4.63	0.49	0.604
PQ 26x25	4.72	1.18	5.55	6.53	0.845
PQ 30x28	4.97	1.49	7.40	11.03	1.200
PQ 32x20	3.26	1.70	5.55	9.42	0.808
PQ 32x30	4.64	1.61	7.46	11.97	1.496
PQ 35x35	4.48	1.96	8.79	17.26	2.21

PQ Cores

Data sheet Ref: APS-4 (21/02/02)

PACE

POWER MAGNETICS
DIVISION



Power Magnetics

10 Balmer Cut,
Buckingham Industrial Park,
Buckingham MK18 1UL

T 01280 817243

F 01280 823167

E sales@powermagnetics.co.uk
www.powermagnetics.co.uk

A DIVISION OF
PACE
COMPONENTS
LIMITED