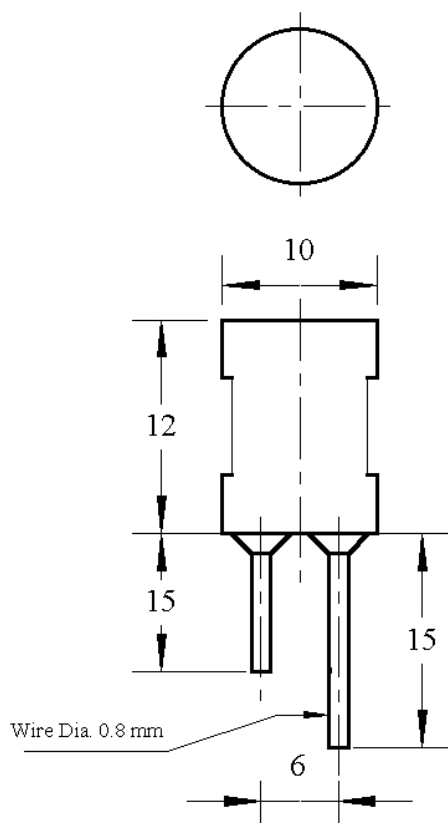


Fixed Inductors - 1012 Series

| Inductance $\mu\text{H} \pm 10\%$ | DC Current Amps (Continuous) |
|-----------------------------------|------------------------------|
| 47 | 1.90 |
| 68 | 1.60 |
| 100 | 1.30 |
| 150 | 1.00 |
| 220 | 0.88 |
| 330 | 0.70 |
| 470 | 0.60 |
| 680 | 0.50 |
| 1000 | 0.40 |
| 1500 | 0.33 |
| 2200 | 0.27 |
| 3300 | 0.22 |
| 4700 | 0.19 |

The DC current rating is the current at which the inductance falls to 90% of nominal



All dimensions in mm

Ferrite Core Fixed Inductors with Radial Leads 1012 Series

Data sheet Ref: APS-109 (16/12/03)

PACE
COMPONENTS



Pace Components Ltd

Unit 38 Ballmoor
Buckingham Industrial Park
Buckingham MK18 1RQ

T 01280 822733

F 01280 823839

E sales@pacecomponents.co.uk
www.pacecomponents.co.uk

INCORPORATING
PACE
POWER MAGNETICS
DIVISION