

Fixed Inductors - 2214 Series

Type	Inductance $\mu\text{H} \pm 10\%$	DC Current Amps (Continuous)
2214-100	100	5.4
2214-220	220	3.5
2214-330	330	2.8
2214-470	470	2.3
2214-560	560	2.2
2214-680	680	2.0

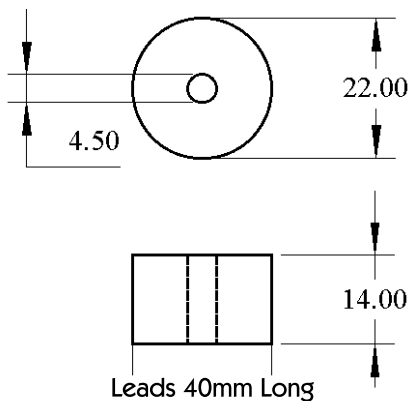
The DC Current rating is based on a 30°C temperature rise.
The total loss being approximately 1.3W.

Fixed Inductors -2820 Series

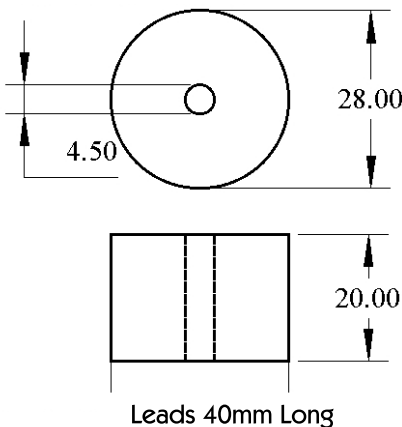
Type	Inductance $\mu\text{H} \pm 10\%$	DC Current Amps (Continuous)
2820-100	100	5.4
2820-220	220	3.5
2820-330	330	2.8
2820-470	470	2.3
2820-560	560	2.2
2820-680	680	2.0

The DC Current rating is based on a 30°C temperature rise.
The total loss being approximately 2.0W.

2214 Series



2820 Series



All dimensions in mm

Inductors may be mounted using a non-magnetic M4 screw through the centre hole

High Current
Fixed Inductors
with Radial Leads
Using High Flux
Ferrite Bobbin Cores
2214 Series

Data sheet Ref: APS-106 (16/12/03)

PACE
COMPONENTS



Pace Components Ltd

Unit 38 Ballmoor
Buckingham Industrial Park
Buckingham MK18 1RQ

T 01280 822733

F 01280 823839

E sales@pacecomponents.co.uk
www.pacecomponents.co.uk

INCORPORATING
PACE
POWER MAGNETICS
DIVISION