

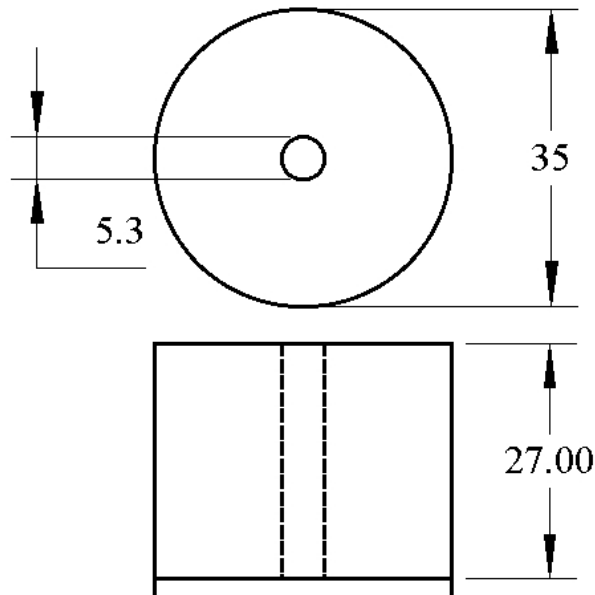
Fixed Inductors - 3525 Series

**High Current
Fixed Inductors
with Radial Leads
Using High Flux
Ferrite Bobbin Cores
3525 Series**

Data sheet Ref: APS-107 (16/12/03)

Type	Inductance $\mu\text{H} \pm 10\%$	Typical Resistance Ω	DC Current Amps (Continuous)
3525-100	100	0.018	10.5
3525-220	220	0.040	7.0
3525-330	330	0.050	6.3
3525-470	470	0.072	5.3
3525-560	560	0.089	5.0
3525-680	680	0.098	4.5
3525-1000	1000	0.166	3.5
3525-1500	1500	0.250	2.8
3525-2200	2200	0.341	2.4
3525-3300	3300	0.480	2.2
3525-4700	4700	0.700	1.7

The DC Current rating is based on a 30°C temperature rise.
Leads may be trimmed and solder dipped for PCB mounting if required.



Leads trimmed to customer requirement

All dimensions in mm

Inductors may be mounted using a non-magnetic M5 screw through the centre hole

PACE
COMPONENTS



Pace Components Ltd

Unit 38 Ballmoor
Buckingham Industrial Park
Buckingham MK18 1RQ

T 01280 822733

F 01280 823839

E sales@pacecomponents.co.uk
www.pacecomponents.co.uk

INCORPORATING
PACE
POWER MAGNETICS
DIVISION