

Common Mode Chokes

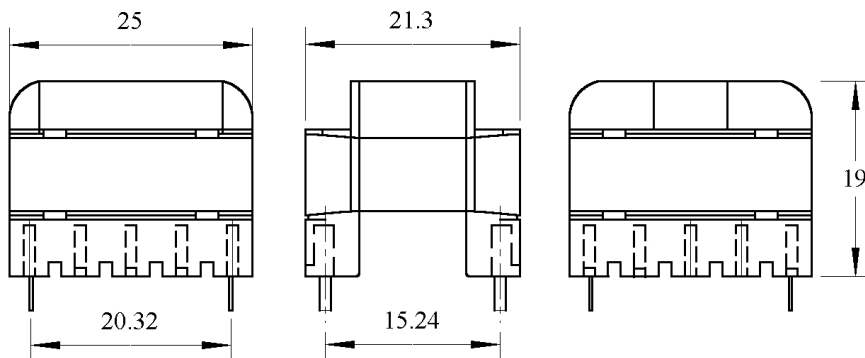
A range of common-mode input chokes suitable for use in Switching Power Supplies or any equipment where noise suppression is required between the mains input and the equipment.

The construction uses double section coilformers to provide a high level of insulation between the input voltage rails.

High permeability ferrite cores are used to give high inductance with minimum copper losses.

Type	Max. Current (Amps)	Nom. Inductance (mH)
E2504	0.4	96.0
E2506	0.6	54.0
E2510	1.0	13.5
E2520	2.0	4.6
E2540	4.0	0.78

The maximum current rating is based on a temperature rise of 30°C above ambient. Insulation between the two winding sections is >2KV.



All dimensions in mm

Common-mode Chokes for PCB Mounting

Data sheet Ref: APS-108 (15/12/03)

PACE
COMPONENTS



Pace Components Ltd

Unit 38 Ballmoor
Buckingham Industrial Park
Buckingham MK18 1RQ

T 01280 822733

F 01280 823839

E sales@pacecomponents.co.uk
www.pacecomponents.co.uk

INCORPORATING
PACE
POWER MAGNETICS
DIVISION